

# SCAN 5005 FRL

## ACCESSORIES



**30054861** Scan 5005 FRL (lifting door)

**30054877** Scan 5005 with support construction (lifting door)

\*For heavy wall constructions or wide non combustible fireplaces, that are thicker than 50 mm

Additional accessories:

**50054151** Fresh air box for bottom (outside Ø145/150 mm - inside Ø135/130 mm)

**50054929** Convection cover, top

**50054930** Frame 1, 90 degrees bent, top/back (for 30054861)

**50054931** Frame 2, 90 degrees bent, top/back/bottom (for 30054861)

**50054932** Frame 3, 5 mm massive, back/bottom, 614 mm (for 30054877)

**50054933** Frame 4, 5 mm massive, back/bottom, 736 mm (for 30054877)

**50054934** Ash container kit with grate

**50054935** Handling kit

**50055224** Chamotte rear stones, black

**50055226** Handle, black painted

**50055227** Detachable handle kit for lifting door

**50059023** Adjustable legs, 190 mm

**51052596** Convection air grids (2 pcs.)

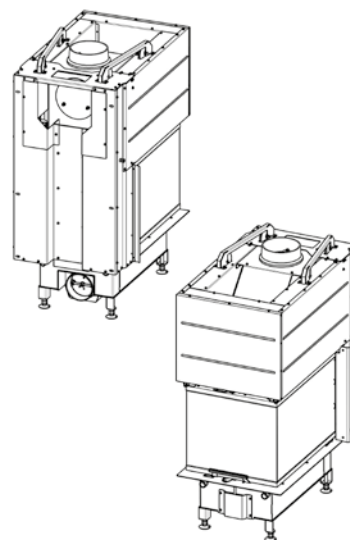
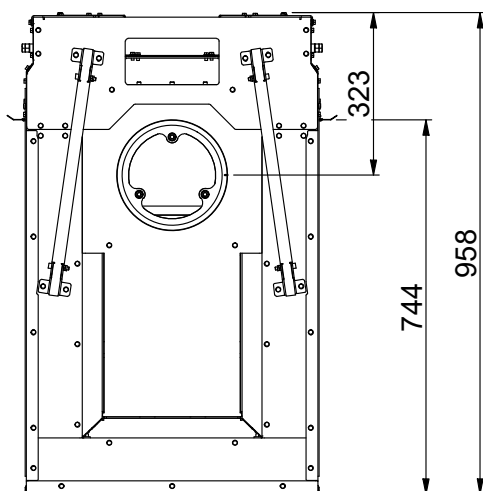
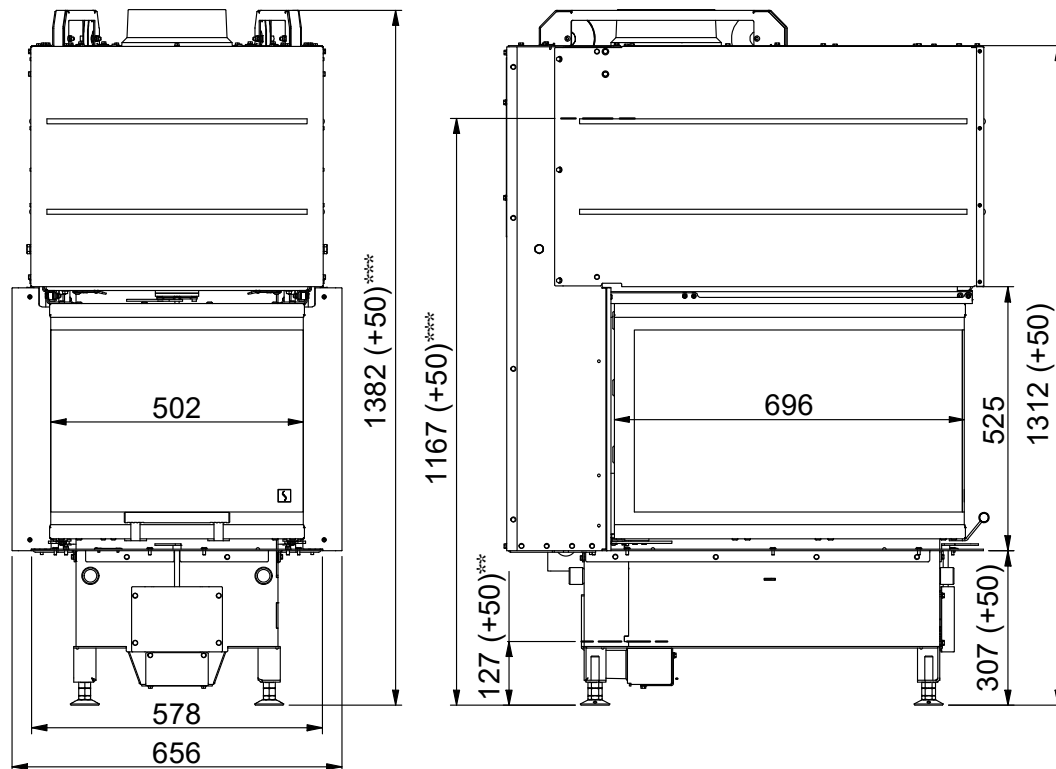
# SCAN 5005 FRL

## ACCESSORIES



30054861

Scan 5005 (lifting door)



All distances are in mm.

\*\* Connection of fresh-air intake - inside measure: Ø132 mm - outside measure: Ø149 mm

\*\*\* Height to the beginning of flue connecting piece at top/rear outlet,  
flue conn. piece - inside measure: Ø175 mm - outside measure: Ø200 mm

# SCAN 5005 FRL

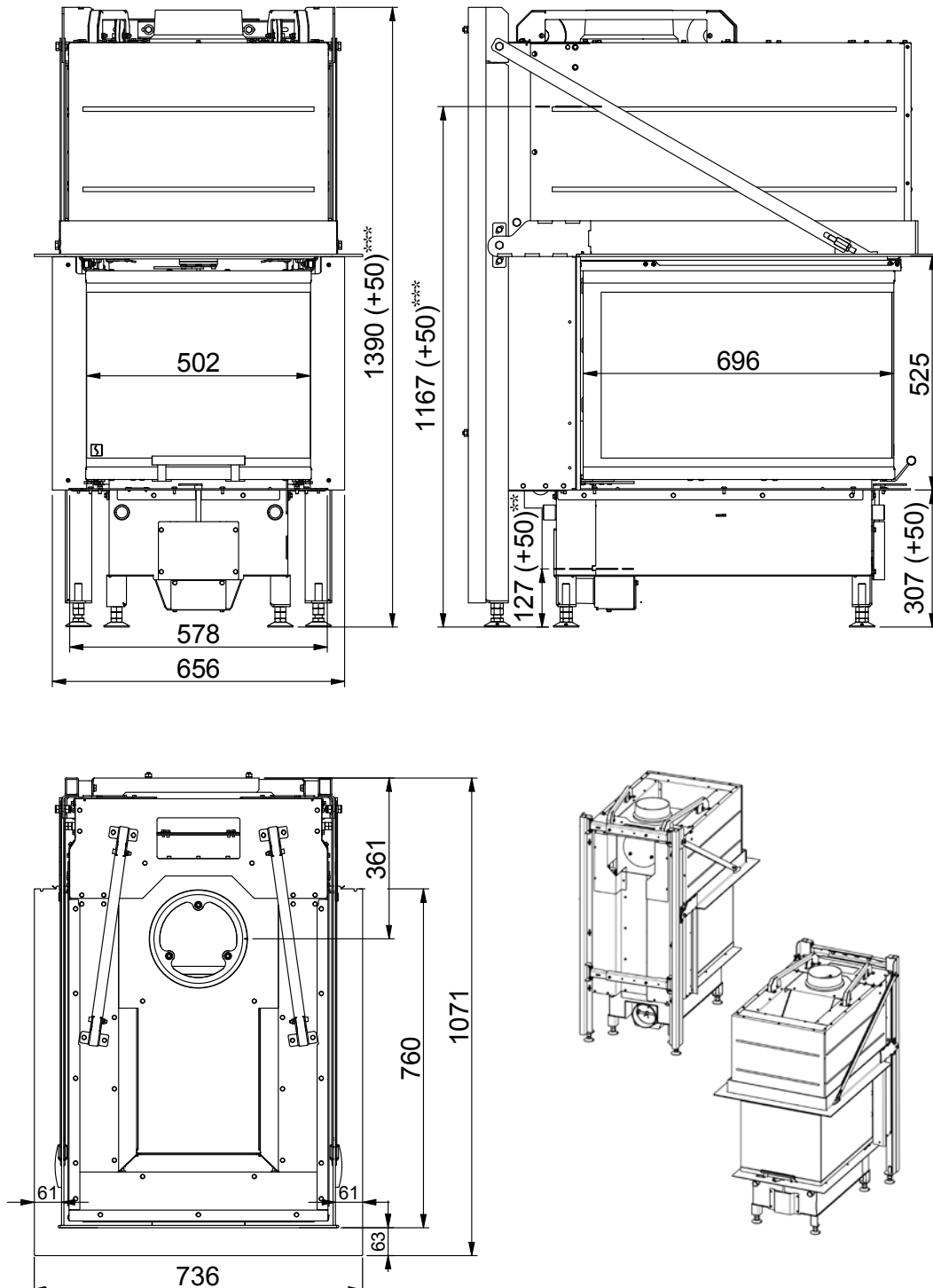
## ACCESSORIES



30054877

Scan 5005 with support construction (lifting door)

\*For heavy wall constructions or wide non combustible fireplaces, that are thicker than 50 mm



All distances are in mm.

\*\* Connection of fresh-air intake - inside measure:  $\varnothing 132$  mm - outside measure:  $\varnothing 149$  mm

\*\*\* Height to the beginning of flue connecting piece at top/rear outlet,  
flue conn. piece - inside measure:  $\varnothing 175$  mm - outside measure:  $\varnothing 200$  mm

# SCAN 5005 FRL

## ACCESSORIES

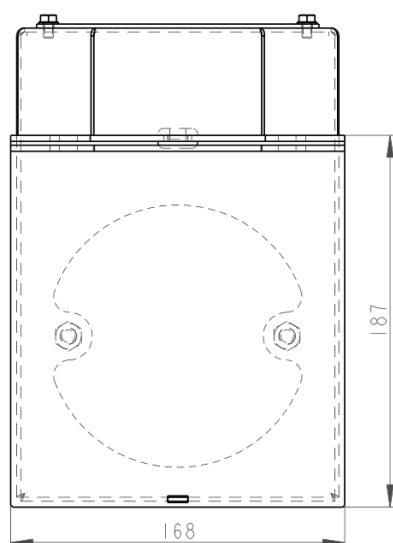
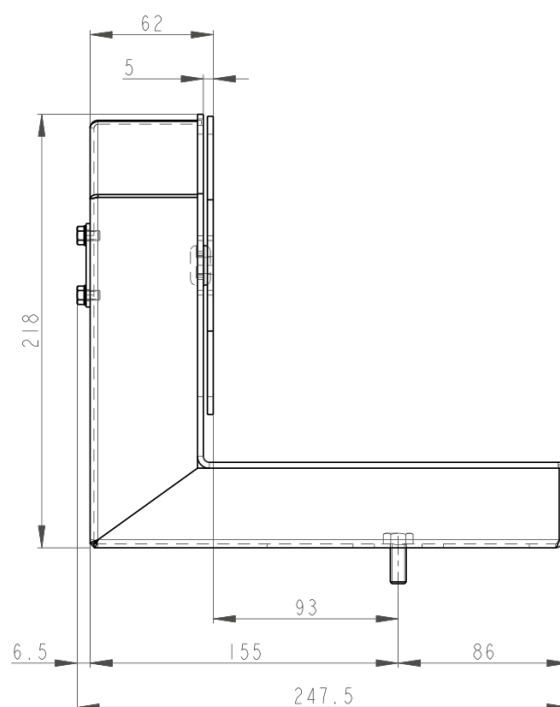
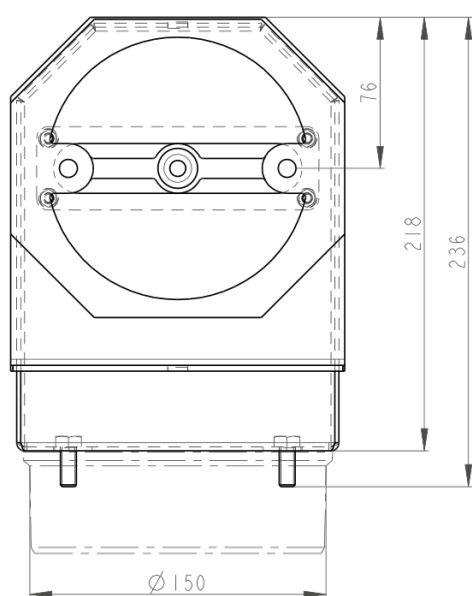


### 50054151

#### Fresh air box for bottom

(outside Ø145/150 mm - inside Ø135/130 mm)

For this box, you need a connection pipe (Ø 150 mm) which can be purchased in most D.I.Y.-stores



# SCAN 5005 FRL

## ACCESSORIES

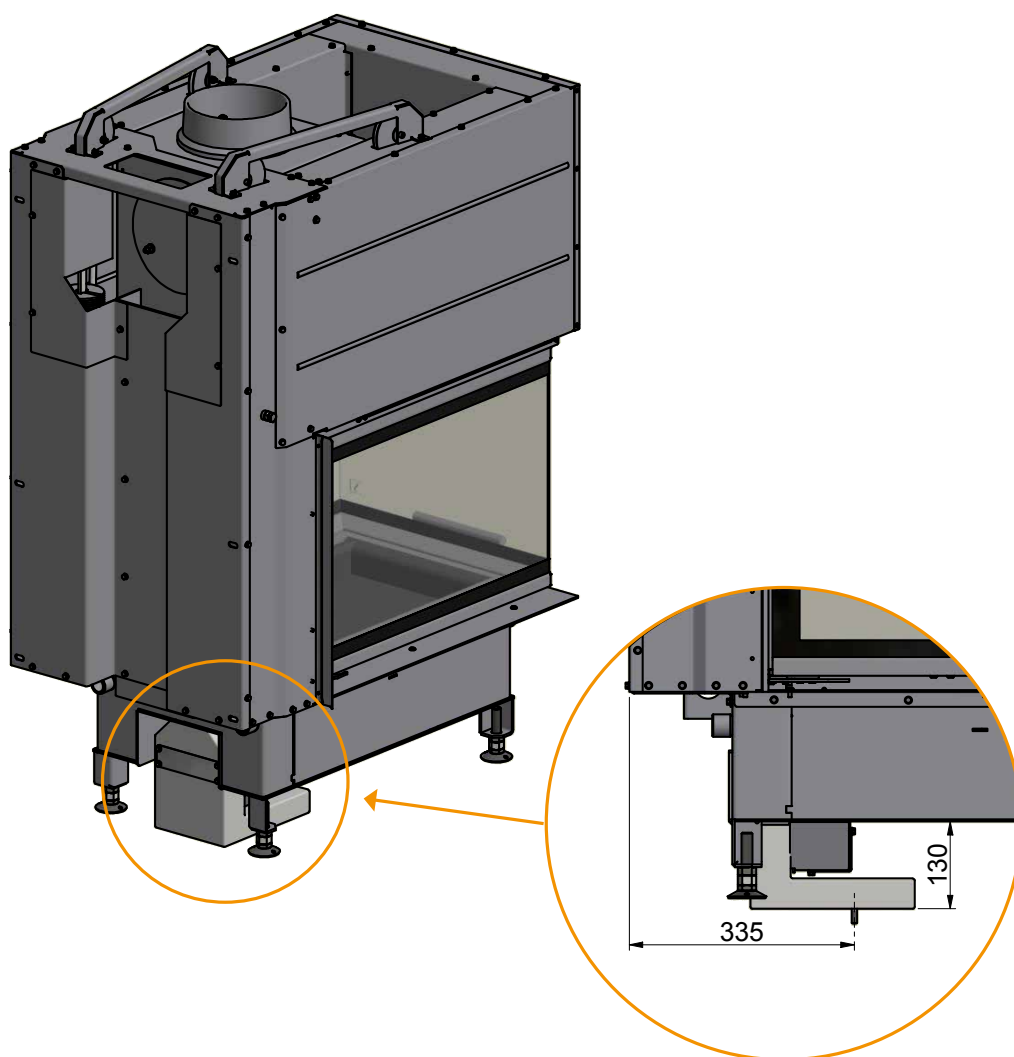


**50054151**

### **Fresh air box for bottom**

(outside Ø145/150 mm - inside Ø135/130 mm)

For this box, you need a connection pipe (Ø 150 mm) which can be purchased in most D.I.Y.-stores.



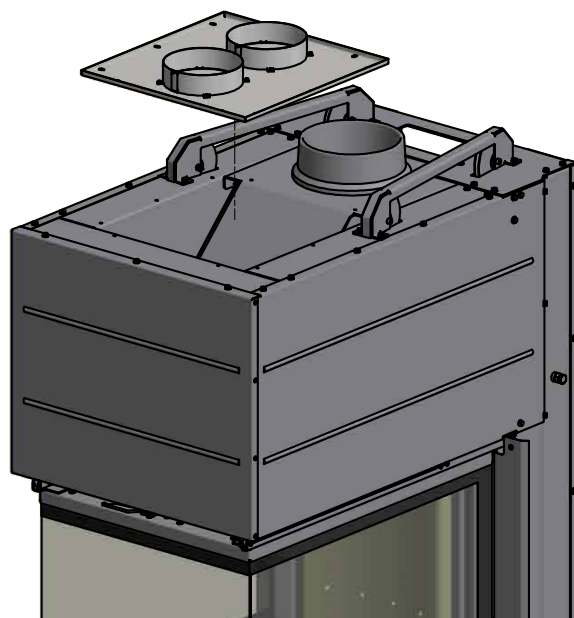
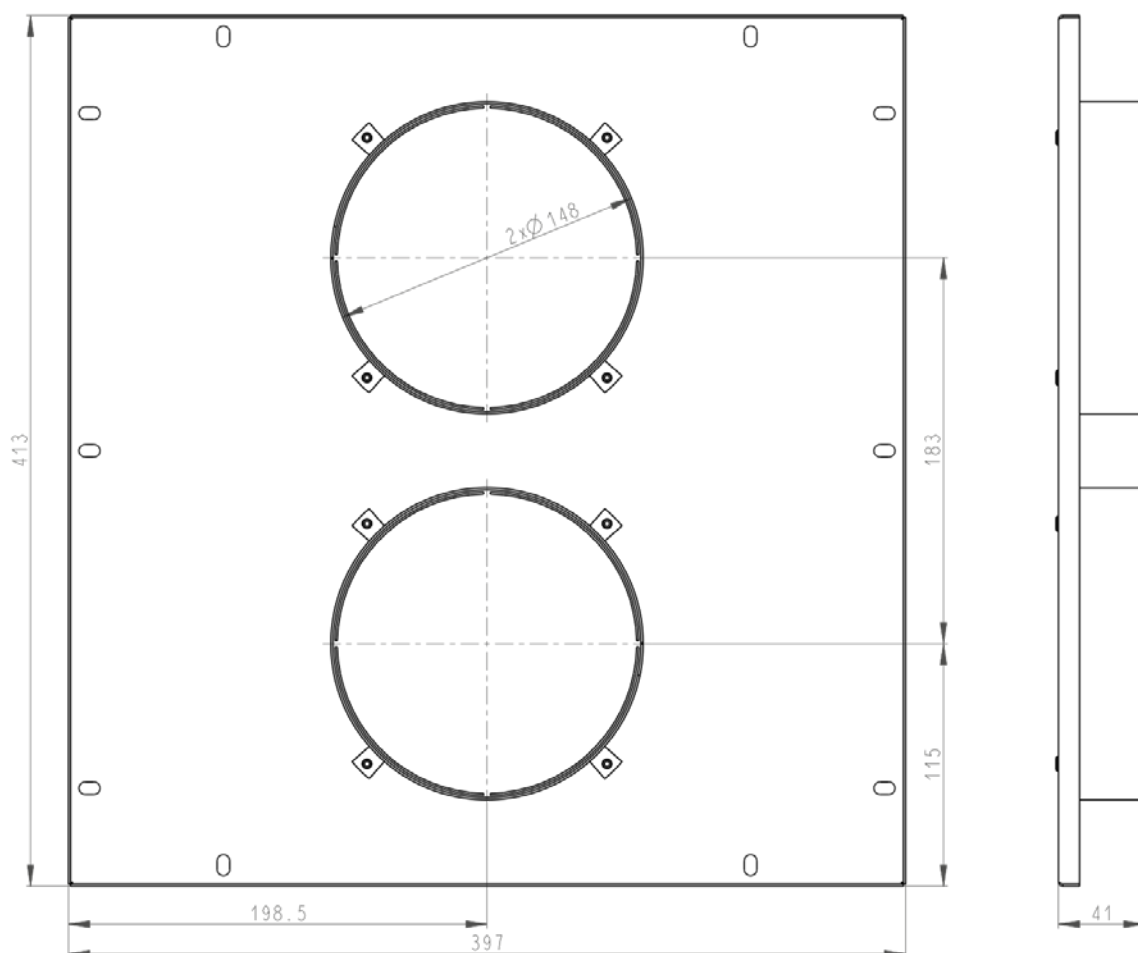
# SCAN 5005 FRL

## ACCESSORIES



50054929

Convection cover, top



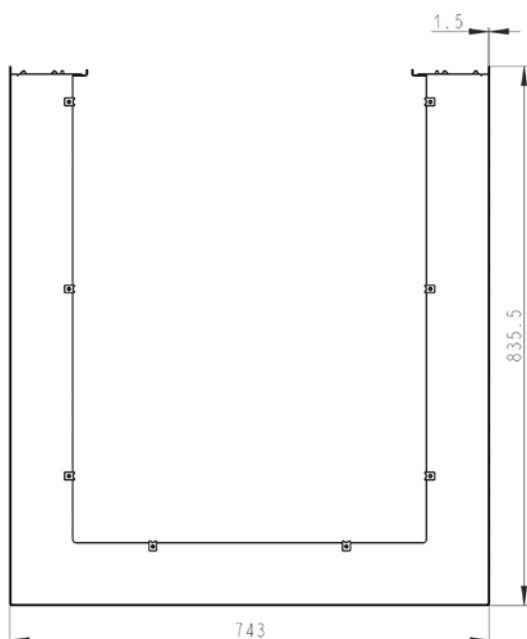
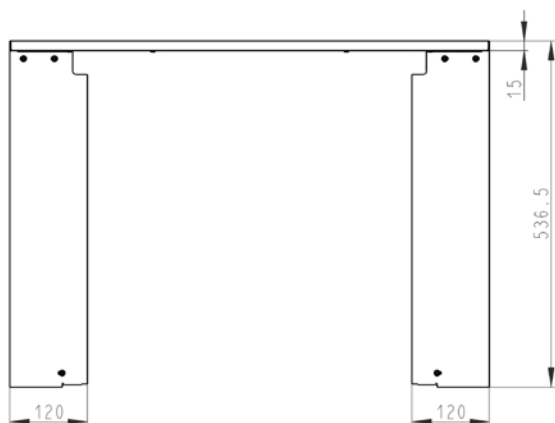
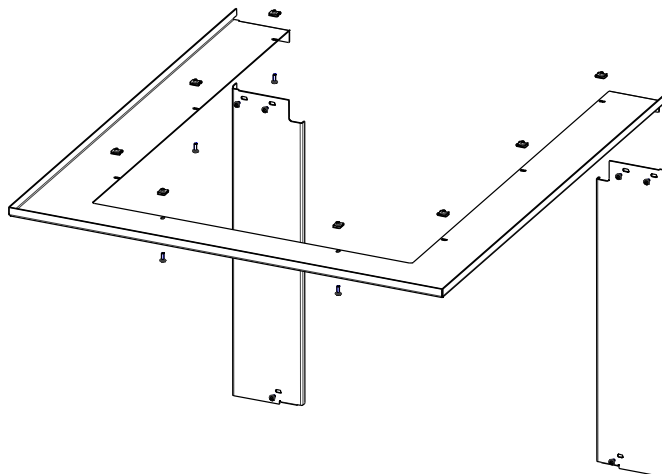
# SCAN 5005 FRL

## ACCESSORIES



50054930

Frame 1, 90 degrees bent, top/back (for 30054861)



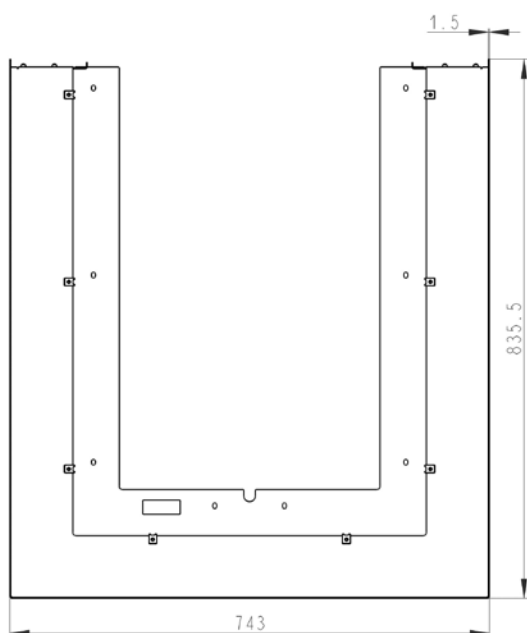
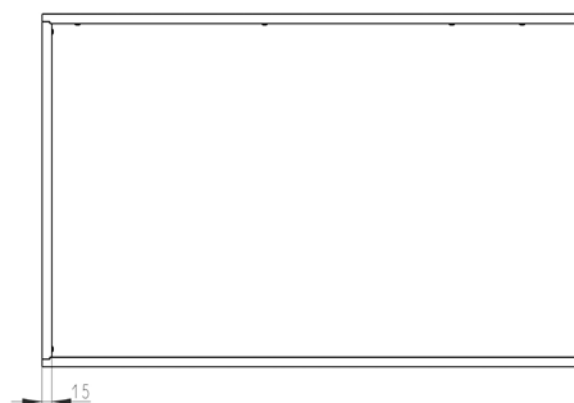
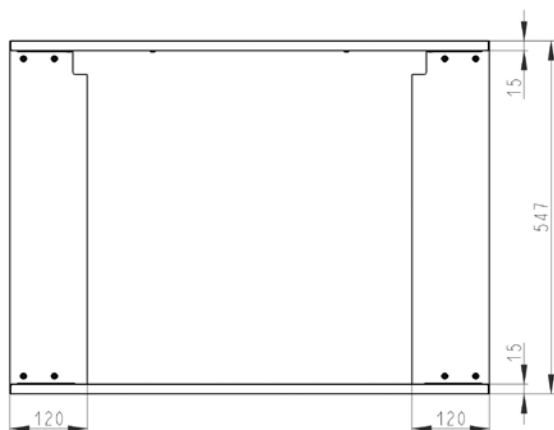
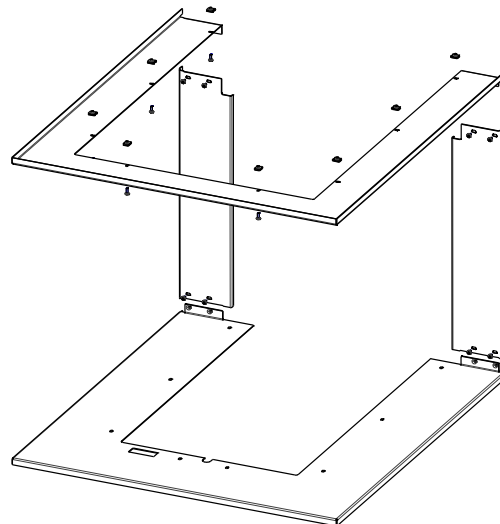
# SCAN 5005 FRL

## ACCESSORIES



50054931

Frame 2, 90 degree bent, top/back/bottom (for 30054861)





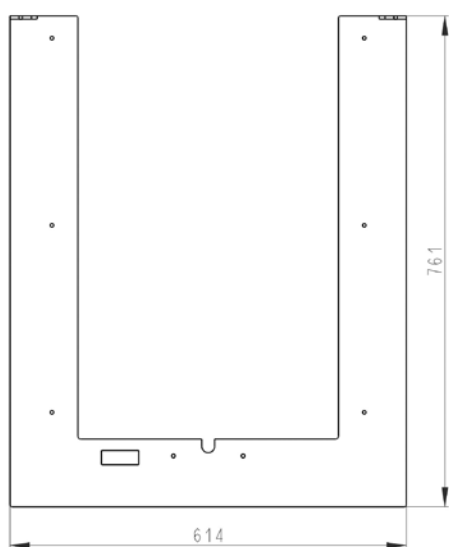
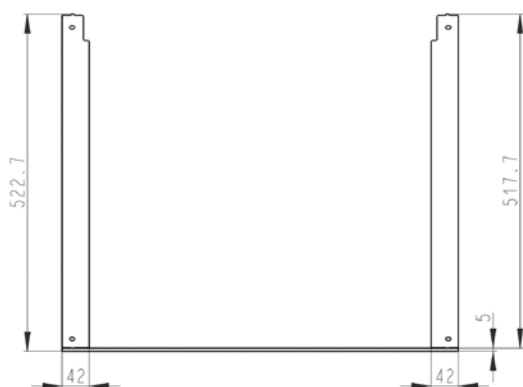
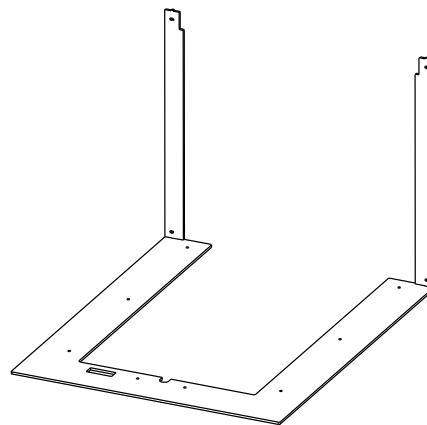
# SCAN 5005 FRL

## ACCESSORIES



50054932

Frame 3, 5 mm massive, back/bottom, 614 mm (for 30054877)



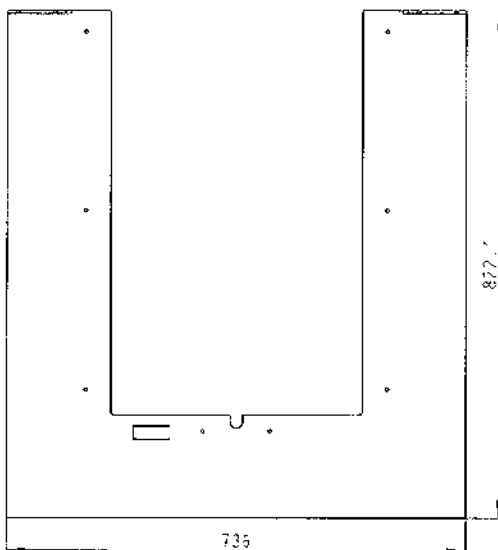
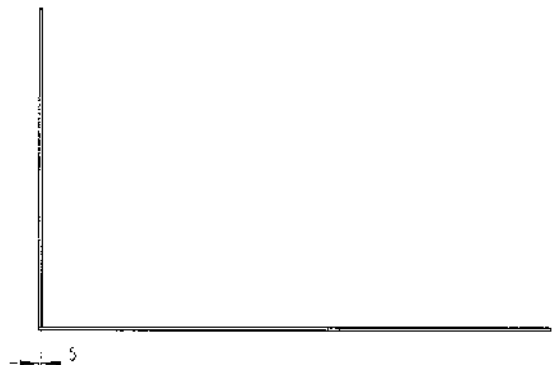
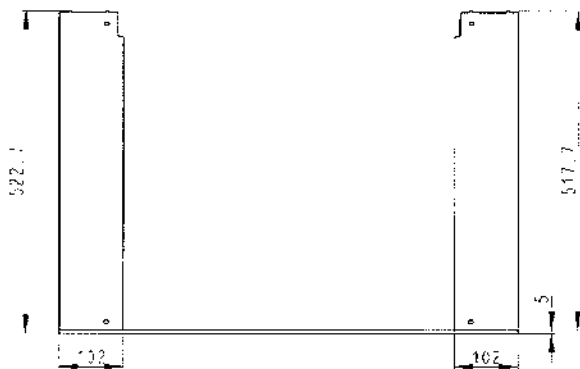
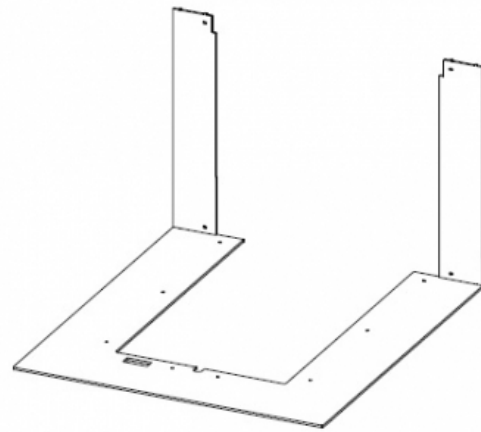
# SCAN 5005 FRL

## ACCESSORIES



**50054933**

**Frame 4, 5 mm massive, back/bottom, 736 mm** (for 30054877)



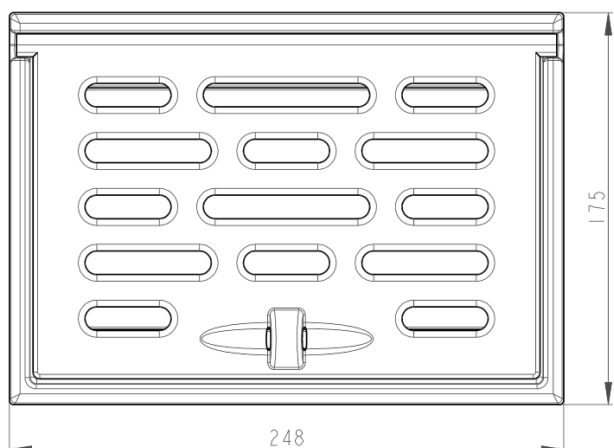
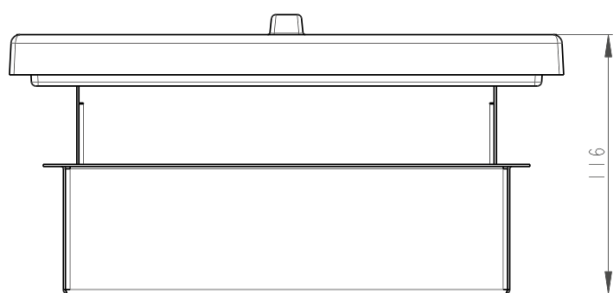
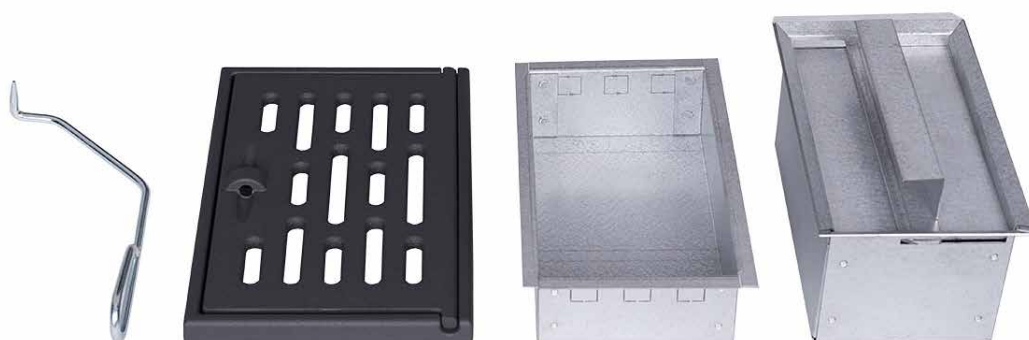
# SCAN 5005 FRL

## ACCESSORIES



50054934

Ash container kit with grate

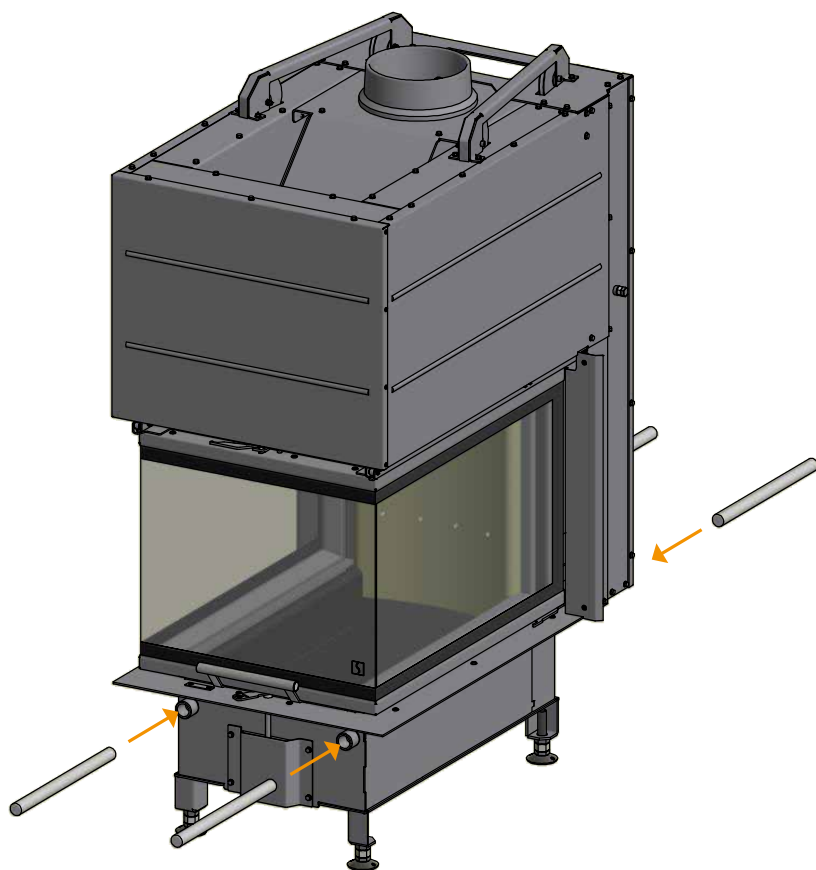


# SCAN 5005 FRL

## ACCESSORIES



**50054935**  
**Handling kit**



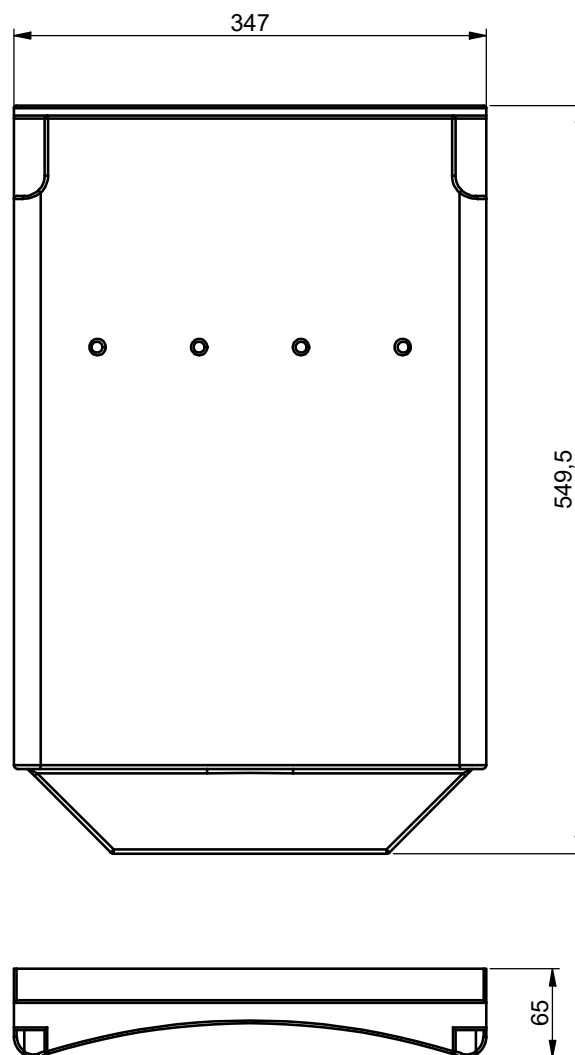
# SCAN 5005 FRL

## ACCESSORIES



5005224

Chamotte rear stones, black



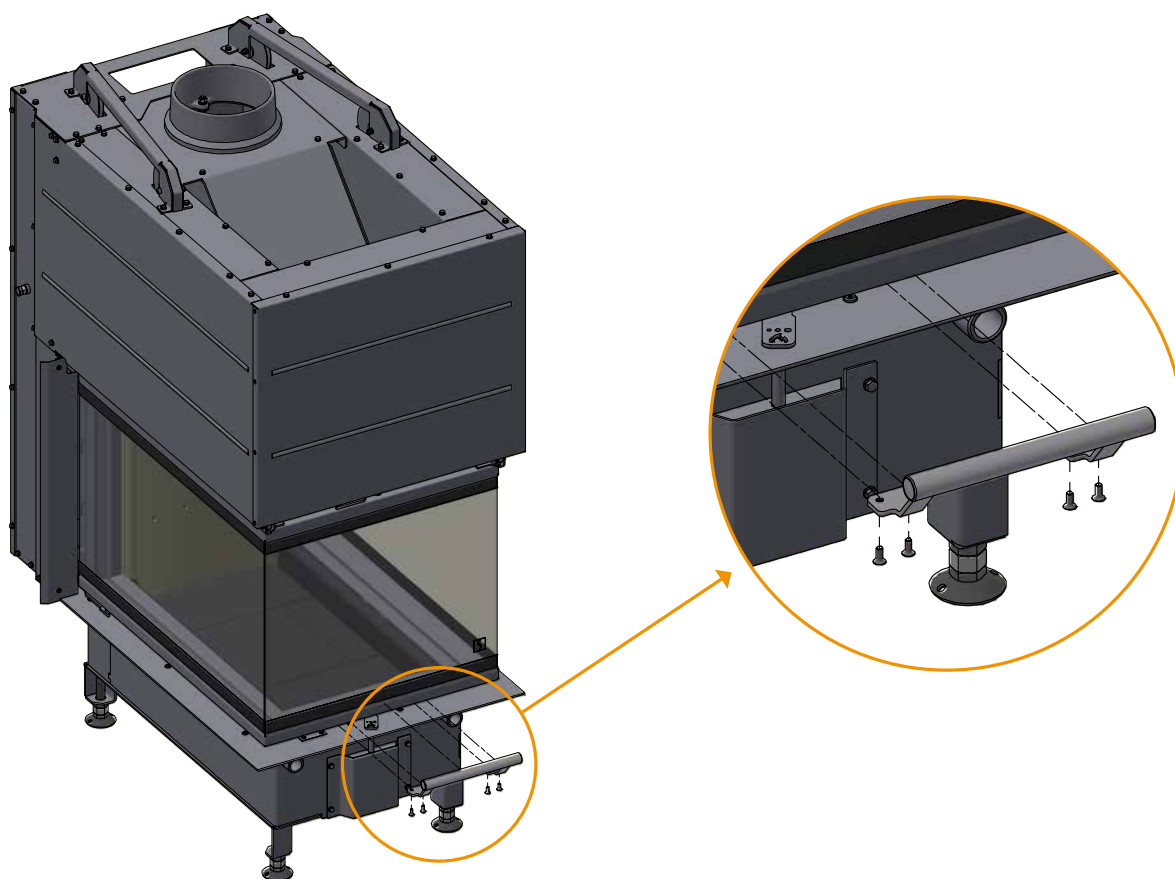
# SCAN 5005 FRL

## ACCESSORIES



5005227

Detachable handle kit for lifting door



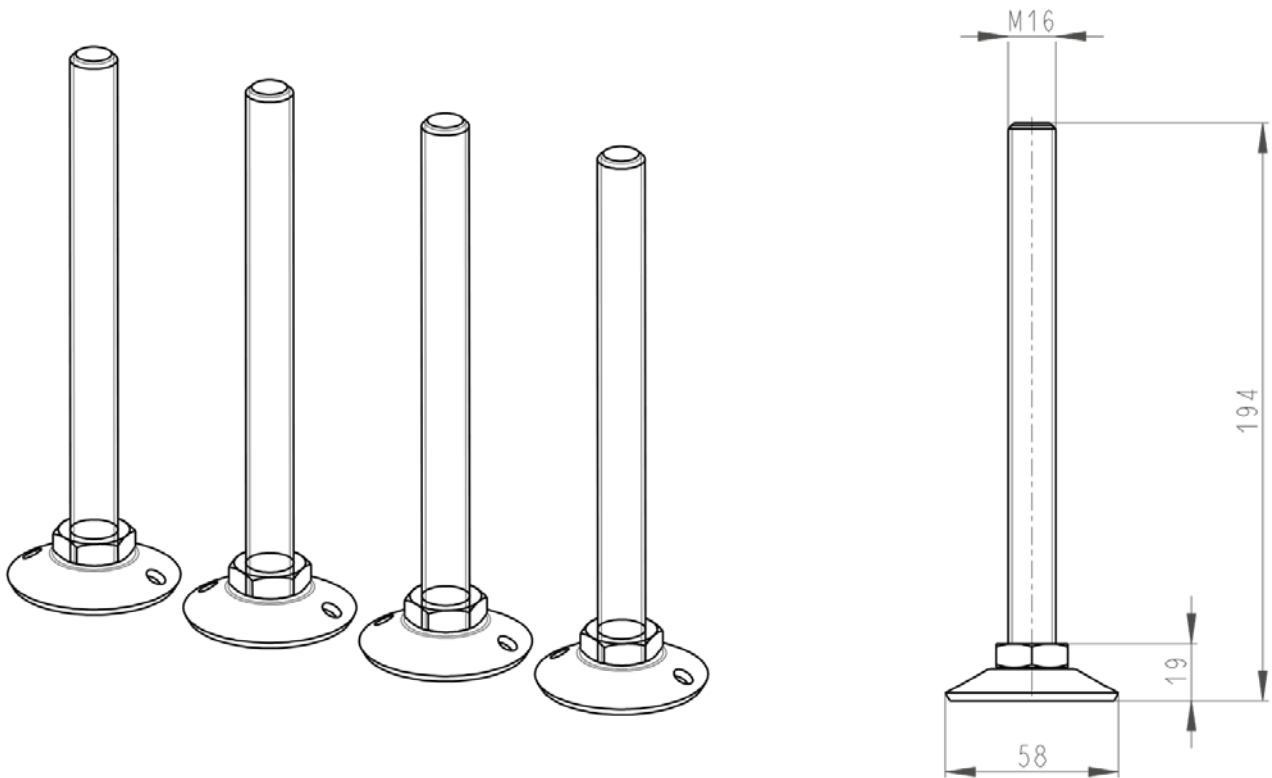
# SCAN 5005 FRL

## ACCESSORIES



**50059023**

**Adjustable legs, 190 mm**



# SCAN 5005 FRL

## ACCESSORIES



51052596

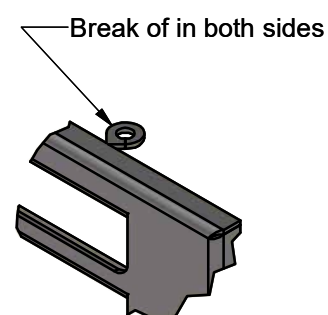
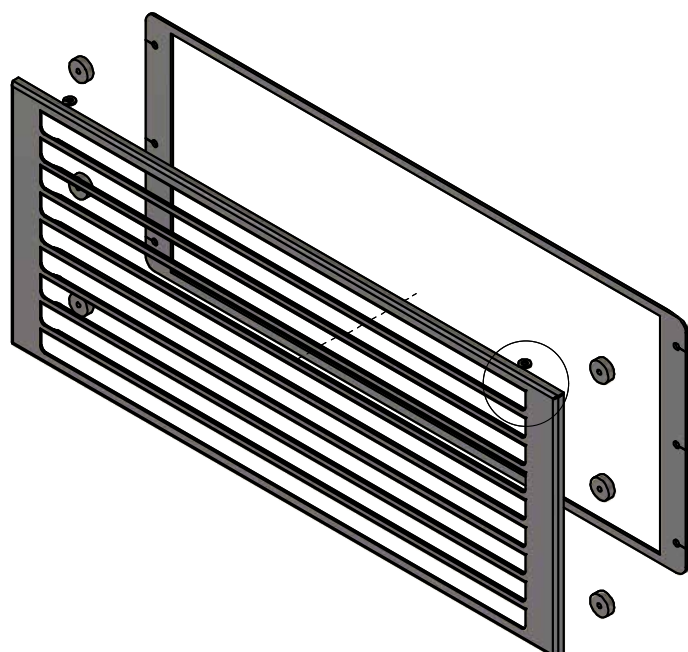
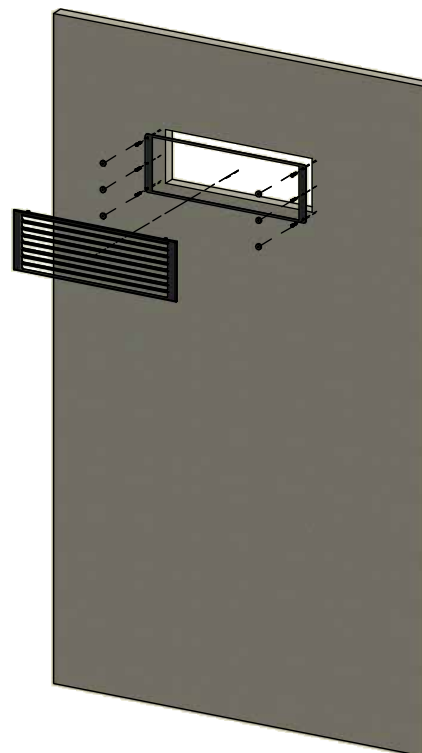
Convection air grids (2 pcs.)

1

Cut a hole in the wall according to the indicated measures

2

Fasten the metal frame with the six screws.  
Then mount the six magnets on the screws and place the convection grate on the magnets



Size of hole in wall

